



Model Number

IPH-FP-C1D1

LF read/write head, for IDENTControl, for hazardous areas

Features

- Explosion-proof housing
- Connection via screw terminals
- Approved for Class I, Groups C, D

Accessories

IPC03-50P

Data carrier

IPC03-58

Data carrier

IPC02-50P

Code carrier

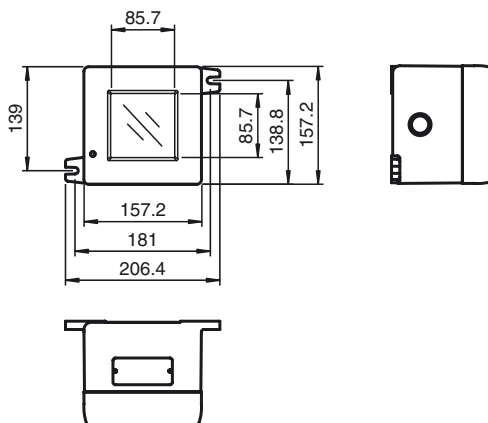
IPC02-C1

Code carrier

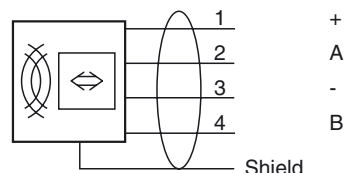
IPC11-50CD 10pcs

Data carrier

Dimensions



Electrical connection



Technical data

General specifications

Operating frequency	125 kHz
Transfer rate	2 kBit/s
Sensing range	
Read distance	0 ... 52 mm
Write distance	0 ... 43 mm
Width	max. 62 mm
UL File Number	E305142

Functional safety related parameters

MTTF _d	710 a
Mission Time (T _M)	10 a
Diagnostic Coverage (DC)	0 %

Indicators/operating means

LED green/yellow	green: power on green flashing: read/write attempt performed yellow: data carrier detected
------------------	--

Electrical specifications

Power consumption	P ₀	≤ 1.2 W
Supply		from the IDENTControl

Ambient conditions

Ambient temperature	-25 ... 70 °C (-13 ... 158 °F)
Storage temperature	-40 ... 85 °C (-40 ... 185 °F)

Mechanical specifications

Degree of protection	NEMA Type 4, 7, 9
Connection	Terminals
Material	
Housing	diecast aluminum
Base	diecast aluminum
Installation	
Distance between two heads	Multiplex on: ≥ 65 mm Multiplex off: ≥ 515 mm
Mass	approx. 4080 g

Compliance with standards and directives

Directive conformity	
R&TTE Directive 1995/5/EC	EN 301489-1 V1.8.1 (2008-04), EN 301489-3 V1.4.1 (2002-08), EN 300330-2 V1.3.1 (2006-04), EN 60950-1:2006
Standard conformity	
Electromagnetic compatibility	EN 61326

Degree of protection	EN 60529
Approvals and certificates	
UL approval	Class I, Division 1, Groups C, D
FCC approval	This device complies with part 15 of the FCC rules. Operation is subject to the following two conditions: (1) This device may not cause harmful interference, and (2) This device must accept any interference received, including interference that may cause undesired operation. Caution: Changes or modifications not expressly approved by the party responsible for compliance could void the user's authority to operate the equipment.

Notes

This equipment has been tested and found to comply with the limits for a Class A digital device, pursuant to part 15 of the FCC Rules. These limits are designed to provide reasonable protection against harmful interference when the equipment is operated in a commercial environment. This equipment generates, uses, and can radiate radio frequency energy and, if not installed and used in accordance with the instruction manual, may cause harmful interference to radio communications. Operation of this equipment in a residential area is likely to cause harmful interference in which case the user will be required to correct the interference at his own expense.

Release date: 2016-04-12 17:32 Date of issue: 2016-04-12 915494_eng.xml